

Nokia Customer Care RM-8/RM-47/RM-48 Series Transceivers

4 - Service Tools

Table of Contents

	Page No
JBV-1 Docking Station and DA-24 Adapter	4
Product Code	4
MJ-29 Module Jig	6
Product Code	6
RJ-30 Soldering Jig.....	7
Product Code	7
FPS-8 Flash Prommer (Sales Pack).....	8
Sales package code.....	8
FPS-8C Parallel Flash Prommer (Sales Pack)	9
Sales package code.....	9
ACF-8 Universal Power Supply.....	10
Product Code	10
SF-26 POS (Point of sales) Flash Adapter	11
Product Code	11
FLC-2 DC Cable	12
Product Code	12
AXS-4 Service Cable	13
Product code	13
XCS-1 Service Cable	14
Product code	14
PKD-1 SW Security Device	15
FLS-4S POS (Point of sales) Flash Device (Sales Pack)	16
Product Code	16
PCS-1 Power Cable	17
Product Code	17
XRF-1 RF Cable	18
Product code	18
DAU-9S MBUS Cable	19

Product Code	19
CA-5S Cable.....	20
Product Code	20
XCS-4 Modular Cable	21
Product code	21
Printer Cable	22
Product code	22
DAU-9T Service Cable	23
Product code	23
DKU-5 FBUS/USB Cable	24
Product code	24

List of Figures

Fig 1 DA-24	4
Fig 2 SA-50	5
Fig 3 View of MJ-29	6
Fig 4 View of RJ-30	7
Fig 5 View of FPS-8	8
Fig 6 View of FPS-8C	9
Fig 7 View of ACF-8	10
Fig 8 View of SF-26	11
Fig 9 View of FLC-2	12
Fig 10 View of AXS-4	13
Fig 11 View of XCS-1	14
Fig 12 View of SW Security Device	15
Fig 13 View of FLS-4S	16
Fig 14 View of PCS-1	17
Fig 15 View of XRF-1	18
Fig 16 View of DAU-9S	19
Fig 17 View of XCS-4	21
Fig 18 View of Printer Cable	22

View of DKU-5 Cable24 **JBV-1 Docking Station and DA-24 Adapter**

The JBV-1 Docking Station has been designed for calibration and software update use. The DA-24 Docking Station Adapter makes signal connections to the phone. JBV-1 and DA-24 are used as one unit.

JBV-1 main electric functions include:

- adjustable VBATT calibration voltage, current measurement limit voltage "VCHAR", current measurement calibration current "ICHAR"
- adjustable ADC calibration voltage via BSI signal
- BTEMP and BSI calibration resistor
- signals from FBUS to the phone via parallel jig
- control via FBUS or USB
- Flash OK/FAIL indication

In calibration mode JBV-1 is powered by external power supply 11-16V DC. In flashing power for the phone can be taken from FPS-8 or external power supply 11-16V DC.

DA-24 main electric functions are:

- phone recognizing from BTEMP
- filters of FBUS signals
- SIM CARD reader

■ **Product Code**

JBV-1 Docking Station:0770298

DA-24 Docking Station Adapter:0770795

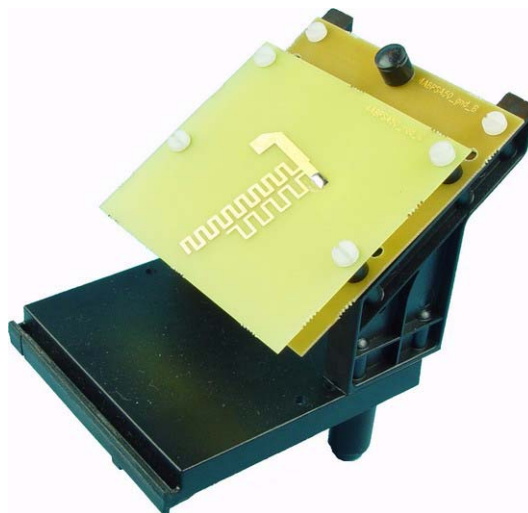
RF-couplerSA-50:0770867

Spare pin code:077xxxx

Figure 1: DA-24



Figure 2: SA-50



MJ-29 Module Jig

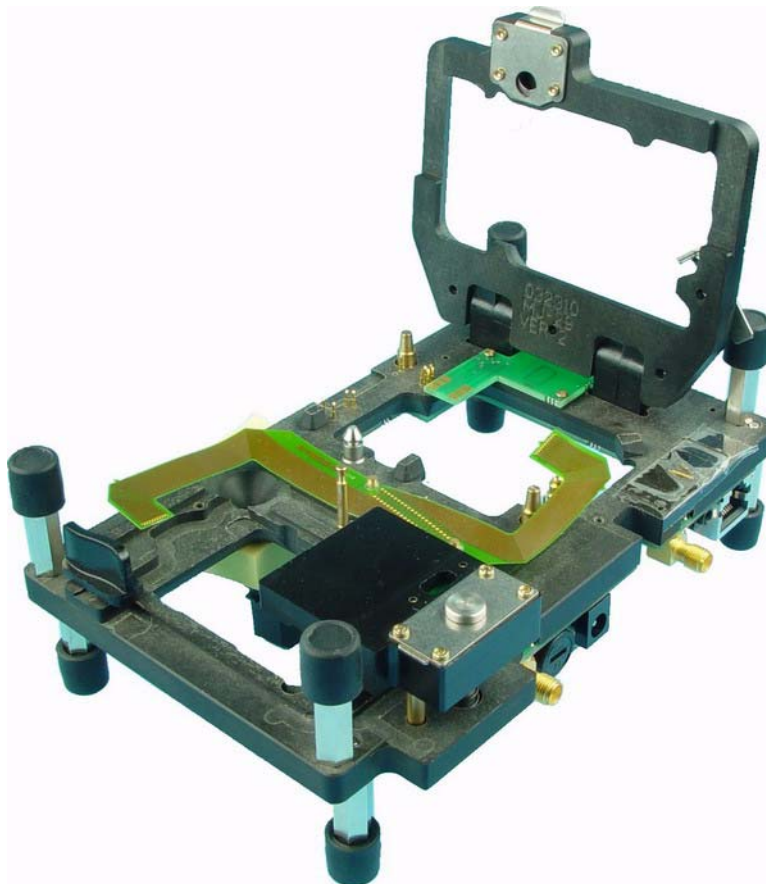
Module Test Jig MJ-29 is designed for regional Central Services for TB4 module testing. It can be used for flashing and RF-, battery-, system-, radio- and SIM reader testing.

■ Product Code

MJ-29 Module Test Jig:0770707

Spare pin code:077xxxx

Figure 3: View of MJ-29



Note: The nominal supply voltage for MJ-29 is +4.2 V.

The supply voltage must not exceed +5.0 V (min 3V).

(MJ-29 includes overvoltage, overcurrent and reversed polarity protection).

RJ-30 Soldering Jig

RJ-30 Soldering Jig is used for soldering and as a rework jig for TB4 module.

■ Product Code

RJ-30 soldering jig:0770751

Figure 4: View of RJ-30



FPS-8 Flash Prommer (Sales Pack)

The Flash Prommer FPS-8 is used with e.g. DA-24 and JBV-1. Power is supplied to FPS-8 from the Universal Power Supply.

The sales pack includes:

- FPS-8 Flash Prommer0750123
- FPS-8 Activation Sheet9359289
- Universal Power Supply0680032
- AXS-4 Service Cable (D9-D9)0730090
- Printer cable0730029

■ Sales package code

FPS-8 Flash Prommer:0080321

Figure 5: View of FPS-8



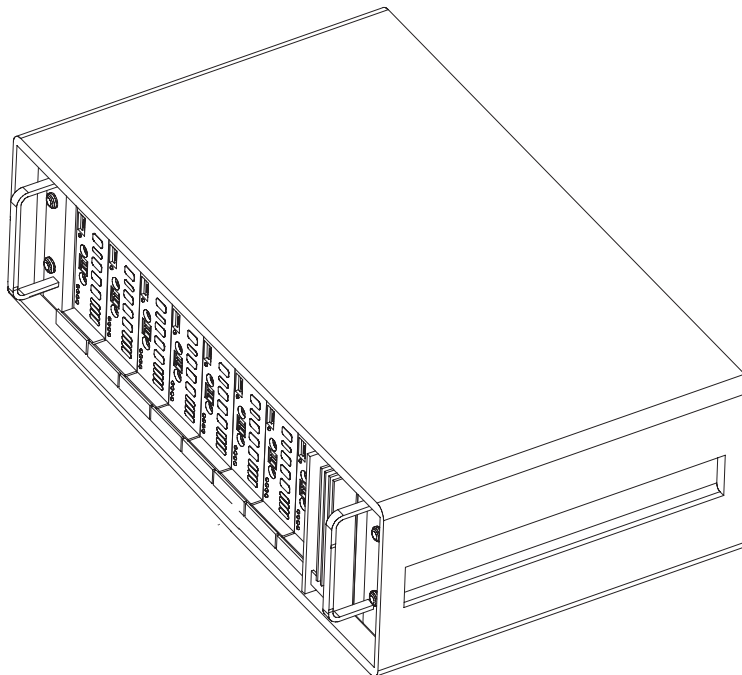
FPS-8C Parallel Flash Prommer (Sales Pack)

The Parallel Flash Prommer FPS-8C is used with DA-24 and JBV-1. Flash programming can be done to maximum of 8 phones parallel. FPS-8C consists of eight SF11C programming cards. SF11C card is functionally identical to FPS-8.

■ Sales package code

FPS-8C Parallel Flash Prommer:0080396

Figure 6: View of FPS-8C



ACF-8 Universal Power Supply

ACF-8 Universal Power Supply is used to power FPS-8. ACF-8 has 6 V DC and 2.1 A output.

■ Product Code

ACF-8 Universal Power Supply:0680032

Figure 7: View of ACF-8



SF-26 POS (Point of sales) Flash Adapter

SF-26 POS Flash Adapter is used in place of the phone's normal battery during service, to supply a controlled operating voltage.

■ Product Code

SF-26 POS Flash Adapter:0770886

Spare pin code:077xxxx

Figure 8: View of SF-26



FLC-2 DC Cable

The FLC-2 is used to supply a controlled operating voltage.

■ Product Code

FLC-2 DC Cable:0730185

Figure 9: View of FLC-2



AXS-4 Service Cable

The AXS-4 D9-D9 Service Cable is used to connect two 9 pin D connectors e.g. between PC and FPS-8. Cable length is 2 meters.

■ Product code

AXS-4 D9-D9 Service Cable:0730090

Figure 10: View of AXS-4



XCS-1 Service Cable

The XCS-1 Service Cable is used to connect FLS-4S to SF-26.

■ Product code

XCS-1 Service Cable:0730218

Figure 11: View of XCS-1



PKD-1 SW Security Device

SW security device is a piece of hardware enabling the use of the service software when connected to the parallel (LPT) port of the PC. Without the dongle present it is not possible to use the service software. Printer or any such device can be connected to the PC through the dongle if needed.

Caution: Make sure that you have switched off the PC and the printer before making connections!

Caution: Do not connect the PKD-1 to the serial port. You may damage your PKD-1!

Product Code

SW Security Device PKD-1:0750018

Figure 12: View of SW Security Device



FLS-4S POS (Point of sales) Flash Device (Sales Pack)

FLS-4S is a dongle and flash device incorporated into one package, developed specifically for POS use.

■ Product Code

Sales Pack - Europe/Africa0080541

Sales Pack -APAC0080542

Figure 13: View of FLS-4S



PCS-1 Power Cable

The PCS-1 Power Cable (DC) is used to connect e.g. JBV-1 to FPS-8.

■ Product Code

PCS-1 Power Cable:0730012

Figure 14: View of PCS-1



XRF-1 RF Cable

RF cable XRF-1 is used to connect e.g. Module Jig MJ-29 to RF measurement equipment.

■ **Product code**

XRF-1 RF Cable:0730085

Figure 15: View of XRF-1



DAU-9S MBUS Cable

The MBUS Cable DAU-9S has a modular connector, and is used with between PC's serial port and e.g. Module Jig MJ-29.

■ Product Code

DAU-9S MBUS Cable:0730108

Figure 16: View of DAU-9S



CA-5S Cable

The CA-5S is used to connect e.g. JBV-1 to the phone.

■ Product Code

CA-5S Cable:0730283



XCS-4 Modular Cable

XCS-4 is a shielded cable (one specially shielded conductor) modular cable for flashing and service purposes.

■ Product code

XCS-4 Modular Cable:0730178

Figure 17: View of XCS-4



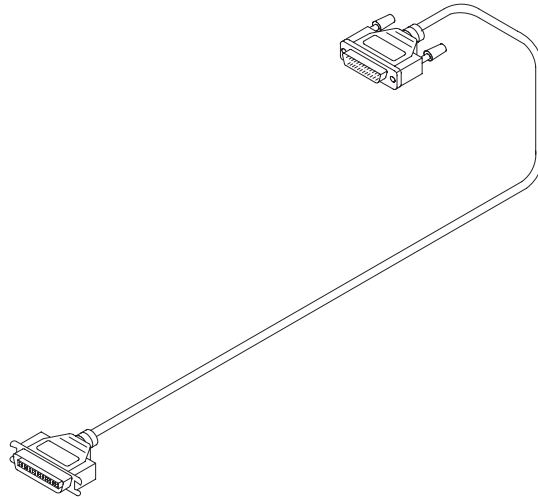
Printer Cable

This cable is used to connect the PC to FPS-8.

■ **Product code**

Printer Cable:0730029

Figure 18: View of Printer Cable



DAU-9T Service Cable

■ Product code

DAU-9T Service Cable:0730267



DKU-5 FBUS/USB Cable

Seamless connectivity between USB compatible PC and Nokia phone. Supports a Nokia PC Suite usage and synchronisation desk stand. Enables data transfer and synchronisation with PC.

■ Product code

DKU-5 FBUS/USB Cable:0730235

Figure 19: View of DKU-5 Cable

